

Model: T906C



特点 features

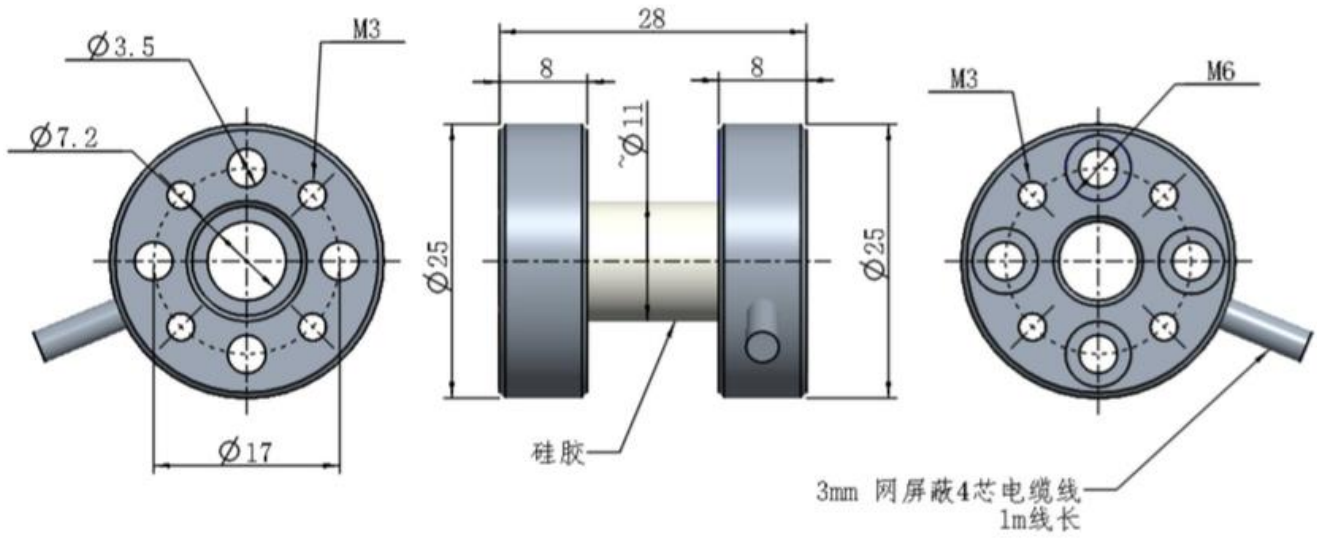
1. 微型式设计
small torque type
2. 优质铝合金材料
aluminium alloy
3. 静态扭矩
reaction torque
4. 高密封性能 IP65
high protection class

技术参数 Technical data

单位 Unit

量程 Capacity	Nm	0.5 1
灵敏度 Sensitivity	mV/V	1.0
灵敏度误差 Sensitivity tolerance	%	-10%~+10%
非线性 Non-linearity	% of Cn	±0.2
滞后 Hysteresis	% of Cn	±0.2
蠕变 Creep、DR	%/30min	±0.2
重复性 Repeatability	% of Cn	±0.2
零点误差 Zero balance	mV/V	±0.05
输入电阻 Input resistance	Ω	350±30
输出电阻 Output resistance	Ω	350±3
温度对零点的影响 Temperature effective on zero	% of Cn	±0.05
温度对灵敏度的影响 Temperature effective on sensitivity	% of Cn	±0.05
标准激励电压 Reference voltage	V	5
工作电压范围 Operation voltage	V	1...15
额定温度范围 Nominal temperature range	°C	-10~+40
工作温度范围 Service temperature range	°C	-10~+50
储藏温度范围 Storage temperature range	°C	-25~+70
绝缘电阻 Insulation resistance	GΩ/100V	>5
安全过载 Safe load limit	% of Emax	150
极限过载 Breaking load limit	% of Emax	300
防护等级 Protection class		IP65

尺寸 Size



订购代码 Ordering Information

Type T906C

Range		
1: N	2: kg	3: lb
50	5	10
100	10	20
0: mv / v		
1: ±5V		
2: ±10V		
3: 4-20mA		
4: RS422/485		
X: Customized		
Length		
0: 1.5m		
1: 3m		
2: 5m		

